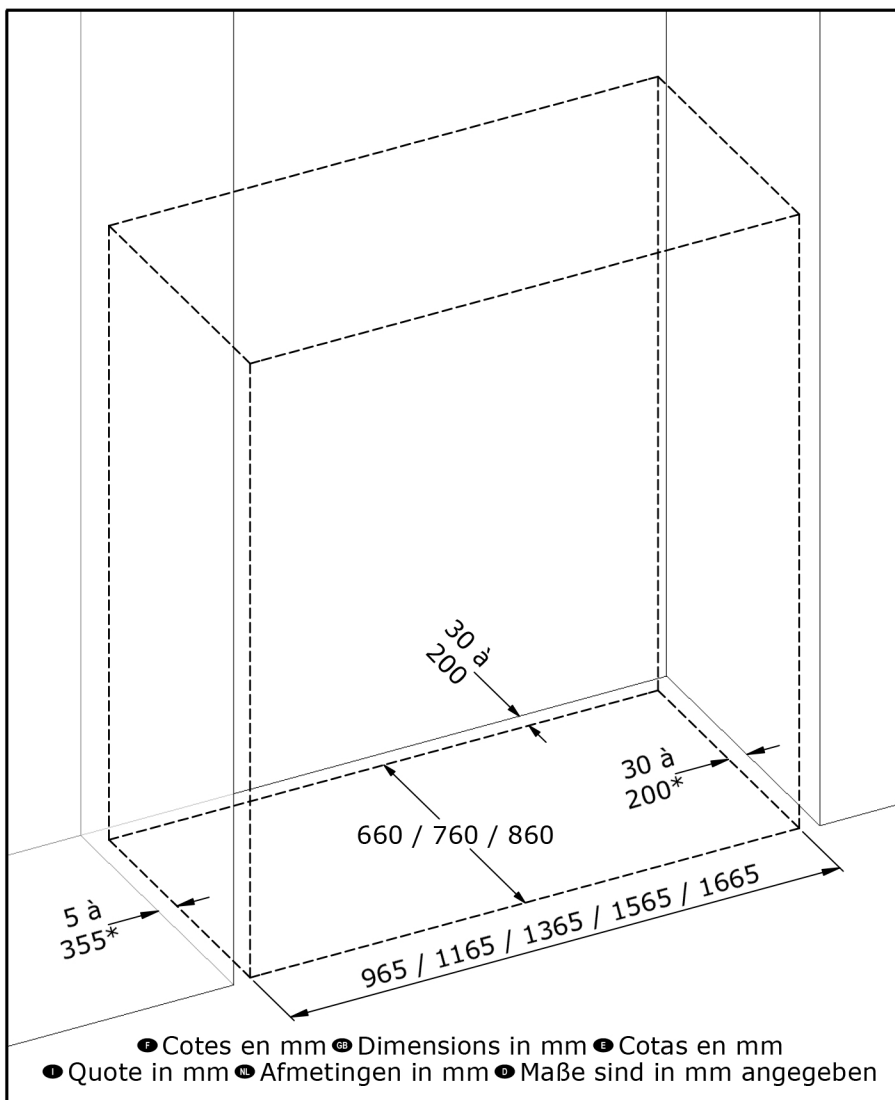


  
Notre service technique est  
à votre écoute aux numéros  
qui sont au dos de cette  
notice d'installation

GIR1388ND

● Position de la cabine ● Position of the shower cubicle  
 ● Posición de la cabina de ducha ● Posizione della cabina doccia  
 ● Positie van de douchecabine ● Position der Duschkabine



\* ● Côté gauche et droit cumulés ne peuvent excéder 385 mm.

● Left and right sides summed must not exceed 385 mm.

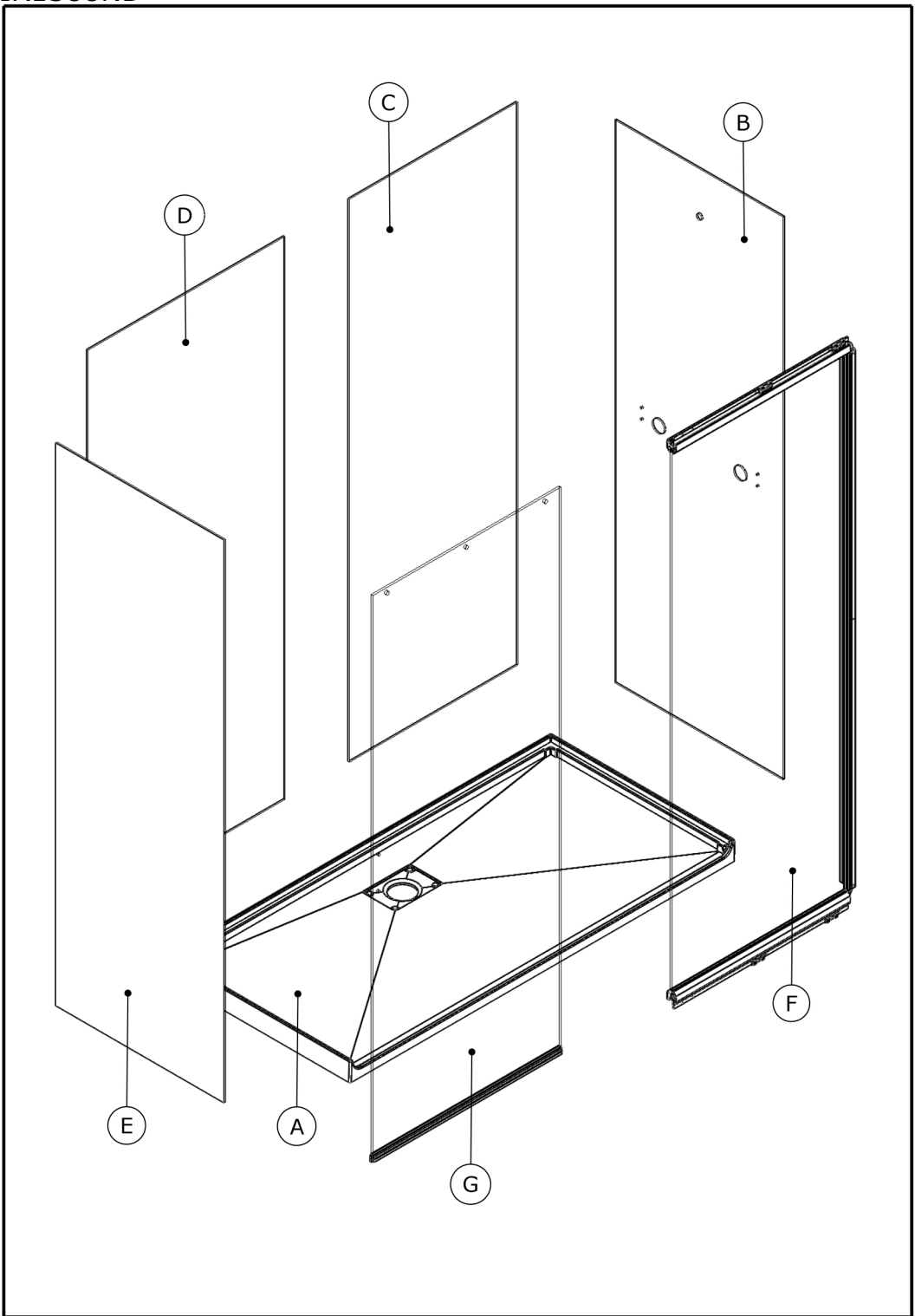
● Las cuotas agregadas izquierda y derecha no pueden superar 385 mm.

● Sinistra e destra combinati non possono superare 385 mm.

● De linker- en rechterzijde mogen samen niet groter zijn dan 385 mm.

● Links und rechts dürfen es zusammen nicht mehr als 385 mm sein.

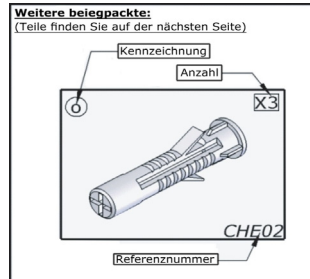
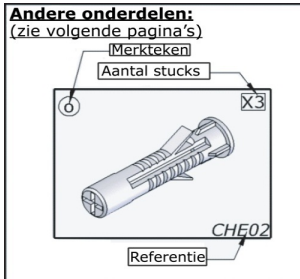
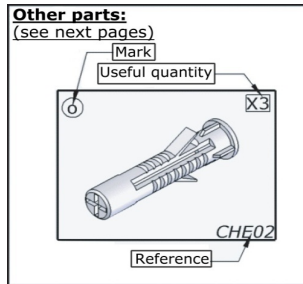
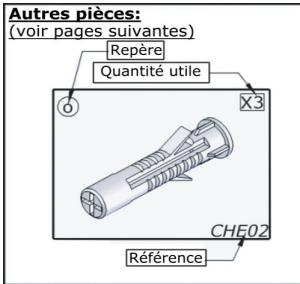


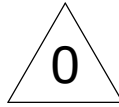




- CODE COLIS (Voir repères en page 4)
- PACKAGE CODES (See marks on page 4)
- REF. BULTOS (Ver pg. 4 para listado de bultos)
- CODE SET (zie blz. 4)
- Codering verpakking (zie omschrijving op pagina 4)
- PAKETCODES (siehe Kennzeichnungen auf Seite 4)

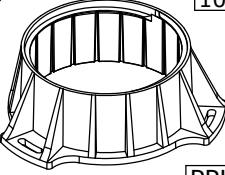
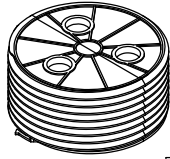
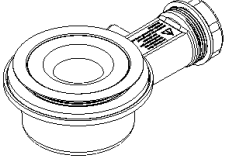
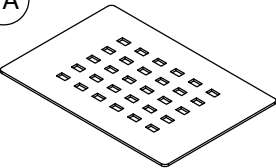
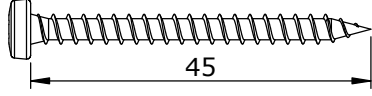
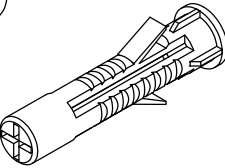
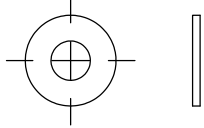
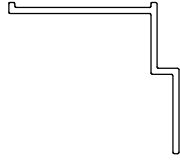
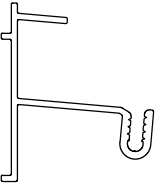
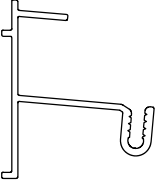
REP	VERSION	100 x 70	100 x 80	100 x 90	120 x 70	120 x 80	120 x 90	140 x 70	140 x 80	140 x 90	160 x 70	160 x 80	160 x 90	170 x 70	170 x 80	170 x 90	
A		REC561	REC562	REC563	REC564	REC565	REC566	REC567	REC568	REC569	REC570	REC571	REC572	REC573	REC574	REC575	
B	Beige orient	C13889	C13891	C13893	C13889	C13891	C13893	C13889	C13891	C13893	C13889	C13891	C13893	C13889	C13891	C13893	
	Gris orient	C13890	C13892	C13894	C13890	C13892	C13894	C13890	C13892	C13894	C13890	C13892	C13894	C13890	C13892	C13894	
C	Beige orient	C13875			C13878			C13872									
	Gris orient	C13874			C13877			C13871									
	Gris bois	C13876			C13879			C13873									
D	Beige orient							C13863			C13866			C13869			
	Gris orient							C13862			C13865			C13868			
	Gris bois							C13864			C13867			C13870			
E	Beige orient	C13848	C13851	C13854	C13848	C13851	C13854	C13848	C13851	C13854	C13848	C13851	C13854	C13848	C13851	C13854	
	Gris orient	C13847	C13850	C13853	C13847	C13850	C13853	C13847	C13850	C13853	C13847	C13850	C13853	C13847	C13850	C13853	
	Gris bois	C13849	C13852	C13855	C13849	C13852	C13855	C13849	C13852	C13855	C13849	C13852	C13855	C13849	C13852	C13855	
F	SER	CLT	C11374E			C11375E			C11376E			C11377E			C11378E		
		PVT/ SOLO	C11381E			C11382E			C11498E			C11496E			C11420E		
	TN	CLT	C11369E			C11370E			C11371E			C11372E			C11373E		
		PVT/ SOLO	C11379E			C11380E			C11497E			C11421E			C11419E		
G	SER	CLT	C11394E			C11395E			C11396E			C11397E			C11398E		
		PVT	C11401E			C11401E											
	TN	CLT	C11389E			C11390E			C119391E			C11392E			C11393E		
		PVT	C11399E			C11399E											

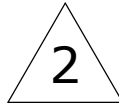


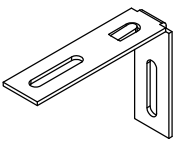
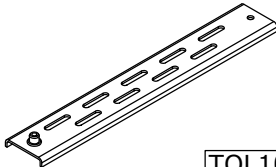
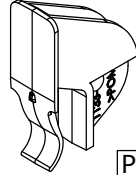
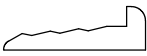
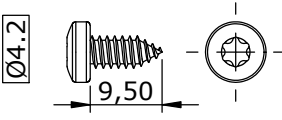
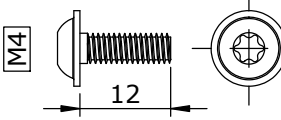
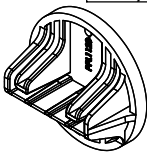
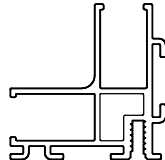
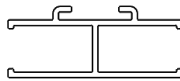
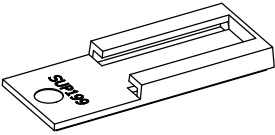


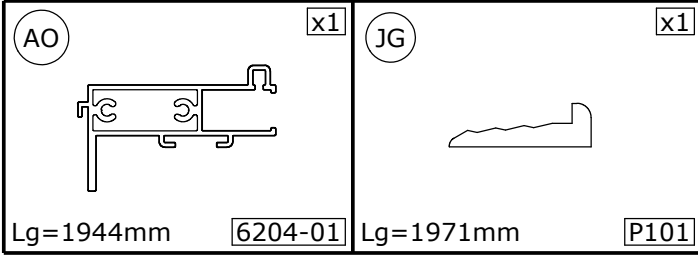
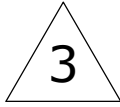
<p><b>SK</b></p> <ul style="list-style-type: none"> <li>● Montage gauche ● Left hand</li> <li>● Montaje a la izquierda</li> <li>● Montaggio a sinistra</li> <li>● Montage links ● Montage links</li> </ul> <p><b>SUP172</b> <span style="float: right;">x1</span></p>	<p><b>SL</b></p> <ul style="list-style-type: none"> <li>● Montage droite ● Right hand</li> <li>● Montaje a la derecha</li> <li>● Montaggio a destra</li> <li>● Montage rechts ● Montage rechts</li> </ul> <p><b>SUP173</b> <span style="float: right;">x1</span></p>	<p><b>PS</b> <span style="float: right;">x2</span></p> <p><b>PPL1116</b></p>
<p><b>SC</b></p> <ul style="list-style-type: none"> <li>● Montage gauche ● Left hand</li> <li>● Montaje a la izquierda</li> <li>● Montaggio a sinistra</li> <li>● Montage links ● Montage links</li> </ul> <p><b>SUP164</b> <span style="float: right;">x1</span></p>	<p><b>SD</b></p> <ul style="list-style-type: none"> <li>● Montage droite ● Right hand</li> <li>● Montaje a la derecha</li> <li>● Montaggio a destra</li> <li>● Montage rechts ● Montage rechts</li> </ul> <p><b>SUP165</b> <span style="float: right;">x1</span></p>	<p><b>PT</b></p> <p>140/160/170 <span style="float: right;">x1</span> 100/120 <span style="float: right;">x0</span></p> <p><b>PPL1117</b></p>
<p><b>PG</b></p> <ul style="list-style-type: none"> <li>● Montage gauche ● Left hand</li> <li>● Montaje a la izquierda</li> <li>● Montaggio a sinistra</li> <li>● Montage links ● Montage links</li> </ul> <p><b>PPL1102</b> <span style="float: right;">x1</span></p>	<p><b>PH</b></p> <ul style="list-style-type: none"> <li>● Montage droite ● Right hand</li> <li>● Montaje a la derecha</li> <li>● Montaggio a destra</li> <li>● Montage rechts ● Montage rechts</li> </ul> <p><b>PPL1103</b> <span style="float: right;">x1</span></p>	<p><b>PAT</b> <span style="float: right;">x1</span></p> <p><b>PPL1141</b></p>
<p><b>PAB</b></p> <ul style="list-style-type: none"> <li>● Montage gauche ● Left hand</li> <li>● Montaje a la izquierda</li> <li>● Montaggio a sinistra</li> <li>● Montage links ● Montage links</li> </ul> <p><b>PPL1134</b> <span style="float: right;">x1</span></p>	<p><b>PAC</b></p> <ul style="list-style-type: none"> <li>● Montage droite ● Right hand</li> <li>● Montaje a la derecha</li> <li>● Montaggio a destra</li> <li>● Montage rechts ● Montage rechts</li> </ul> <p><b>PPL1135</b> <span style="float: right;">x1</span></p>	

1

<p>PA 120/140/160/170 x11 100 x9</p>  <p>PPL802</p>	<p>PB 120/140/160/170 x11 100 x9</p>  <p>PPL804</p>	<p>QA x1</p>  <p>BOND28</p>												
<p>TA x1</p>  <p>TOL11</p>	<p>VN Ø4 x11</p>  <p>1=1 VIS231</p>													
<p>VA x11</p>  <p>CHE02</p>	<p>VV x11</p>  <p>RON34</p>	<p>AW x2</p>  <p>Lg=1940mm 6210-01</p>												
<p>AS x1</p>  <table border="1" data-bbox="694 1149 1075 1300"> <thead> <tr> <th colspan="2">6209</th> </tr> <tr> <th>● Largeur ● Width ● Ancho</th> <th>● Lunghezza ● Breedte ● Breite</th> </tr> </thead> <tbody> <tr> <td>70</td> <td>Lg=635mm</td> </tr> <tr> <td>80</td> <td>Lg=735mm</td> </tr> <tr> <td>90</td> <td>Lg=835mm</td> </tr> </tbody> </table>	6209		● Largeur ● Width ● Ancho	● Lunghezza ● Breedte ● Breite	70	Lg=635mm	80	Lg=735mm	90	Lg=835mm				
6209														
● Largeur ● Width ● Ancho	● Lunghezza ● Breedte ● Breite													
70	Lg=635mm													
80	Lg=735mm													
90	Lg=835mm													
<p>AT x1</p>  <table border="1" data-bbox="655 1340 1075 1548"> <thead> <tr> <th colspan="2">6209</th> </tr> <tr> <th>● Longueur ● Length ● Largo</th> <th>● Lunghezza ● Lengte ● Länge</th> </tr> </thead> <tbody> <tr> <td>100</td> <td>Lg=950mm</td> </tr> <tr> <td>120</td> <td>Lg=1150mm</td> </tr> <tr> <td>140</td> <td>Lg=1350mm</td> </tr> <tr> <td>160</td> <td>Lg=1550mm</td> </tr> <tr> <td>170</td> <td>Lg=1650mm</td> </tr> </tbody> </table>	6209		● Longueur ● Length ● Largo	● Lunghezza ● Lengte ● Länge	100	Lg=950mm	120	Lg=1150mm	140	Lg=1350mm	160	Lg=1550mm	170	Lg=1650mm
6209														
● Longueur ● Length ● Largo	● Lunghezza ● Lengte ● Länge													
100	Lg=950mm													
120	Lg=1150mm													
140	Lg=1350mm													
160	Lg=1550mm													
170	Lg=1650mm													

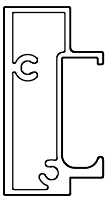


<p>(TE) <span style="border: 1px solid black; padding: 2px;">140/160/170</span> <span style="border: 1px solid black; padding: 2px;">x6</span>  <span style="border: 1px solid black; padding: 2px;">100/120</span> <span style="border: 1px solid black; padding: 2px;">x4</span></p>  <p style="text-align: right;"><span style="border: 1px solid black; padding: 2px;">TOL102</span></p>	<p>(TF) <span style="border: 1px solid black; padding: 2px;">140/160/170</span> <span style="border: 1px solid black; padding: 2px;">x6</span>  <span style="border: 1px solid black; padding: 2px;">100/120</span> <span style="border: 1px solid black; padding: 2px;">x4</span></p>  <p style="text-align: right;"><span style="border: 1px solid black; padding: 2px;">TOL103</span></p>	<p>(PAA) <span style="border: 1px solid black; padding: 2px;">140/160/170</span> <span style="border: 1px solid black; padding: 2px;">x9</span>  <span style="border: 1px solid black; padding: 2px;">100/120</span> <span style="border: 1px solid black; padding: 2px;">x7</span></p>  <p style="text-align: right;"><span style="border: 1px solid black; padding: 2px;">PPL1133</span></p>
<p>(JG) <span style="border: 1px solid black; padding: 2px;">140/160/170</span> <span style="border: 1px solid black; padding: 2px;">x6</span>  <span style="border: 1px solid black; padding: 2px;">100/120</span> <span style="border: 1px solid black; padding: 2px;">x4</span></p>  <p>Lg=1971mm <span style="border: 1px solid black; padding: 2px;">P101</span></p>	<p>(VQ) <span style="border: 1px solid black; padding: 2px;">140/160/170</span> <span style="border: 1px solid black; padding: 2px;">x5</span>  <span style="border: 1px solid black; padding: 2px;">100/120</span> <span style="border: 1px solid black; padding: 2px;">x4</span></p>  <p><span style="border: 1px solid black; padding: 2px;">1=1</span> <span style="border: 1px solid black; padding: 2px;">VIS238</span></p>	<p>(VR) <span style="border: 1px solid black; padding: 2px;">140/160/170</span> <span style="border: 1px solid black; padding: 2px;">x6</span>  <span style="border: 1px solid black; padding: 2px;">100/120</span> <span style="border: 1px solid black; padding: 2px;">x4</span></p>  <p><span style="border: 1px solid black; padding: 2px;">1=1</span> <span style="border: 1px solid black; padding: 2px;">VIS239</span></p>
<p>(PAL) <span style="border: 1px solid black; padding: 2px;">140/160/170</span> <span style="border: 1px solid black; padding: 2px;">x1</span>  <span style="border: 1px solid black; padding: 2px;">100/120</span> <span style="border: 1px solid black; padding: 2px;">x0</span></p>  <p style="text-align: right;"><span style="border: 1px solid black; padding: 2px;">PPL1128</span></p>	<p>(AA) <span style="border: 1px solid black; padding: 2px;">x2</span></p>  <p>Lg=1972mm <span style="border: 1px solid black; padding: 2px;">6189-01</span></p>	<p>(AB) <span style="border: 1px solid black; padding: 2px;">140/160/170</span> <span style="border: 1px solid black; padding: 2px;">x1</span>  <span style="border: 1px solid black; padding: 2px;">100/120</span> <span style="border: 1px solid black; padding: 2px;">x0</span></p>  <p>Lg=1972mm <span style="border: 1px solid black; padding: 2px;">6190-01</span></p>
<p>(VAB) <span style="border: 1px solid black; padding: 2px;">140/160/170</span> <span style="border: 1px solid black; padding: 2px;">x4</span>  <span style="border: 1px solid black; padding: 2px;">100/120</span> <span style="border: 1px solid black; padding: 2px;">x3</span></p>  <p style="text-align: right;"><span style="border: 1px solid black; padding: 2px;">SET167</span></p>		

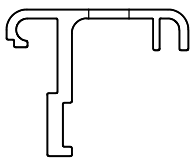





<p><b>SA</b></p> <p>SOLO/CLT x1 PVT x0</p> <ul style="list-style-type: none"> <li>● Montage gauche ● Left hand</li> <li>● Montaje a la izquierda</li> <li>● Montaggio a sinistra</li> <li>● Montage links ● Montage links</li> </ul> <p>SET107</p>	<p><b>SB</b></p> <p>SOLO/CLT x1 PVT x0</p> <ul style="list-style-type: none"> <li>● Montage droite ● Right hand</li> <li>● Montaje a la derecha</li> <li>● Montaggio a destra</li> <li>● Montage rechts ● Montage rechts</li> </ul> <p>SET108</p>	<p><b>VM</b></p> <p>CLT/RID x8 SOLO x9</p> <p>Ø3.5 19</p> <p>1=1 VIS215</p>
<p><b>PI</b></p> <p>● Montage gauche ● Left hand ● Montaje a la izquierda ● Montaggio a sinistra ● Montage links ● Montage links</p> <p>PPL1104</p>	<p><b>PJ</b></p> <p>● Montage droite ● Right hand ● Montaje a la derecha ● Montaggio a destra ● Montage rechts ● Montage rechts</p> <p>PPL1105</p>	<p><b>PAA</b></p> <p>PPL1133</p>
<p><b>SI</b></p> <p>● Montage gauche ● Left hand ● Montaje a la izquierda ● Montaggio a sinistra ● Montage links ● Montage links</p> <p>SUP170</p>	<p><b>SJ</b></p> <p>● Montage droite ● Right hand ● Montaje a la derecha ● Montaggio a destra ● Montage rechts ● Montage rechts</p> <p>SUP171</p>	<p><b>JG</b></p> <p>Lg=1971mm P101</p>
<p><b>PK</b></p> <p>● Montage gauche ● Left hand ● Montaje a la izquierda ● Montaggio a sinistra ● Montage links ● Montage links</p> <p>PPL1106</p>	<p><b>PL</b></p> <p>● Montage droite ● Right hand ● Montaje a la derecha ● Montaggio a destra ● Montage rechts ● Montage rechts</p> <p>PPL1107</p>	<p><b>QC</b></p> <p>BUT22</p>
<p><b>PV</b></p> <p>SOLO/PVT x1 CLT x0</p> <ul style="list-style-type: none"> <li>● Montage gauche ● Left hand</li> <li>● Montaje a la izquierda</li> <li>● Montaggio a sinistra</li> <li>● Montage links ● Montage links</li> </ul> <p>PPL1126</p>	<p><b>PW</b></p> <p>SOLO/PVT x1 CLT x0</p> <ul style="list-style-type: none"> <li>● Montage droite ● Right hand</li> <li>● Montaje a la derecha</li> <li>● Montaggio a destra</li> <li>● Montage rechts ● Montage rechts</li> </ul> <p>PPL1127</p>	<p><b>VP</b></p> <p>SOLO/CLT/RID x3 PVT x2</p> <p>Ø3.5 9.50</p> <p>1=1 VIS237</p>

**AG**  x1

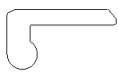
6196	
● Longueur ● Length ● Largo ● Lunghezza ● Lengte ● Länge	Lg=880mm
100	Lg=880mm
120	Lg=1080mm
140	Lg=1280mm
160	Lg=1480mm
170	Lg=1580mm

**AD**  x1

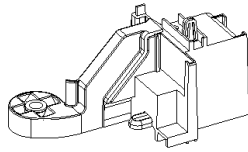
6194		
● Longueur ● Length ● Largo ● Lunghezza ● Lengte ● Länge	CLT	SOLO / 2P
100	Lg=456mm	Lg=673mm
120	Lg=556mm	Lg=673mm
140	Lg=656mm	Lg=506mm
160	Lg=756mm	Lg=606mm
170	Lg=806mm	Lg=706mm

**AJ**  x1

6199		
● Longueur ● Length ● Largo ● Lunghezza ● Lengte ● Länge	CLT	SOLO / 2P
100	Lg=401mm	Lg=183mm
120	Lg=501mm	Lg=383mm
140	Lg=601mm	Lg=751mm
160	Lg=701mm	Lg=851mm
170	Lg=751mm	Lg=851mm

**AQ**  x2

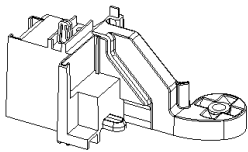
Lg=300mm 6206-01

**SM** 

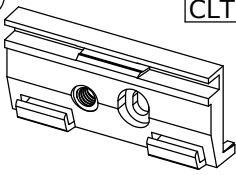
- Montage gauche ● Left hand
- Montaje a la izquierda
- Montaggio a sinistra
- Montage links ● Montage links

PVT: x1

CLT: x0

**SET115** 

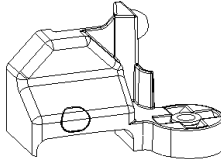
- Montage droite ● Right hand
- Montaje a la derecha
- Montaggio a destra
- Montage rechts ● Montage rechts

**PF**  x4

PVT x4

CLT x0

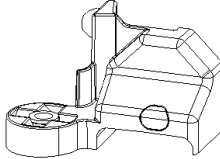
PPL1099

**SN** 

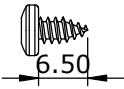
- Montage gauche ● Left hand
- Montaje a la izquierda
- Montaggio a sinistra
- Montage links ● Montage links

PVT: x1

CLT: x0

**SET114** 

- Montage droite ● Right hand
- Montaje a la derecha
- Montaggio a destra
- Montage rechts ● Montage rechts

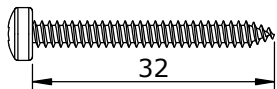
**VO**  x4

Ø3.5 PVT x4

CLT x0

6.50

1=1 VIS234

**VAA**  x1

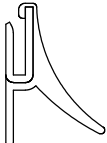
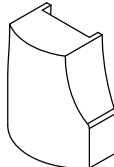
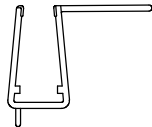
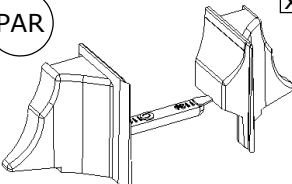
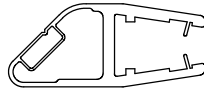
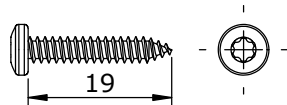
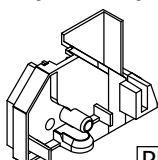
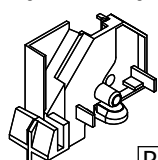
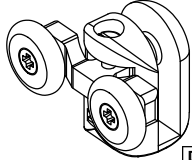
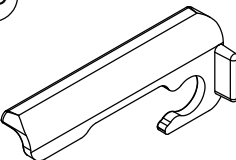
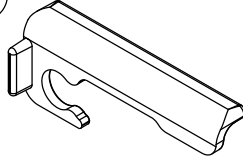
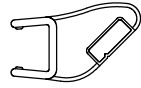
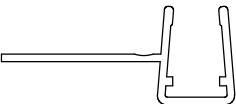
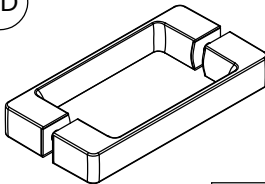
Ø3.5 PVT x1

CLT x0

32

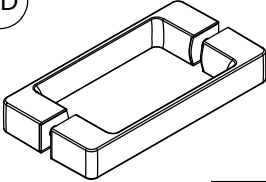
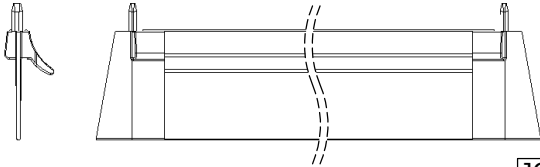
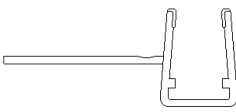
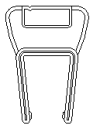
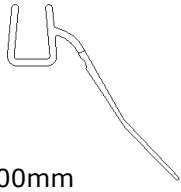
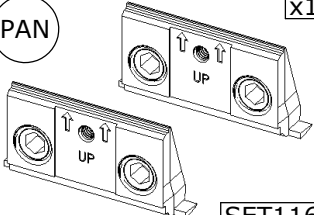
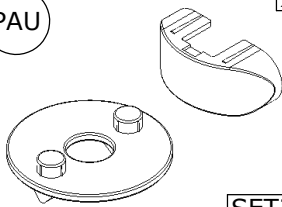
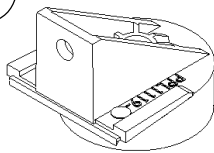
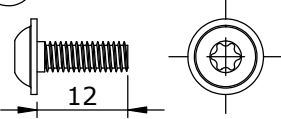
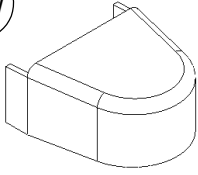
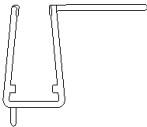
1=1 VIS214

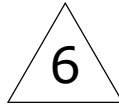
5 CLT

<p>JE x1</p>  <p>Lg=820mm JOI239</p>	<p>PC x1</p>  <p>PPL823</p>	<p>JC x1</p>  <p>Lg=1882mm J723</p>
<p>PAR x1</p>  <p>PPL1136/1137</p>	<p>JB x1</p>  <p>Lg=1959mm AI150</p>	<p>VM Ø3.5 x1</p>  <p>1=1 VIS215</p>
<p>PO x1</p> <ul style="list-style-type: none"> <li>● Montage gauche ● Left hand</li> <li>● Montaje a la izquierda</li> <li>● Montaggio a sinistra</li> <li>● Montage links ● Montage links</li> </ul>  <p>PPL1110</p>	<p>PP x1</p> <ul style="list-style-type: none"> <li>● Montage droite ● Right hand</li> <li>● Montaje a la derecha</li> <li>● Montaggio a destra</li> <li>● Montage rechts ● Montage rechts</li> </ul>  <p>PPL1111</p>	<p>QE 140/160/170 x3 100/120 x2</p>  <p>ROU37</p>
<p>PD x1</p>  <p>PPL1080</p>	<p>PE x1</p>  <p>PPL1081</p>	<p>JA x1</p>  <p>AIM36</p>
<p>JD x1</p>  <p>Lg=1894mm J719</p>	<p>QD x1</p>  <p>PGN36</p>	

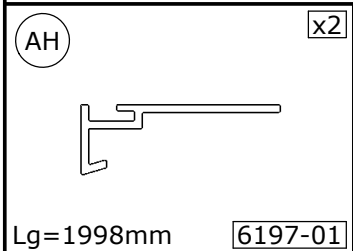
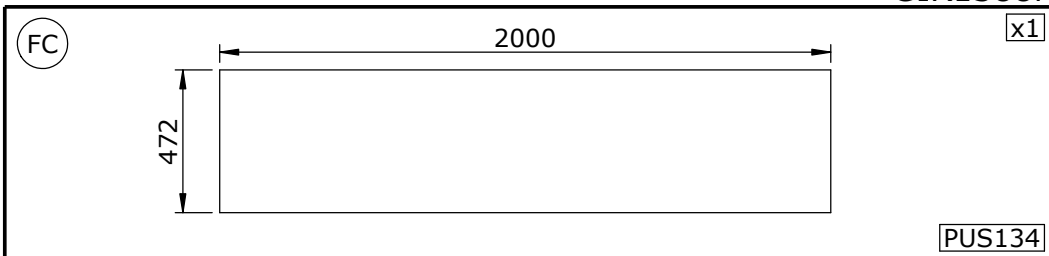


# 5 PVT

<p>(QD) <span style="float: right;">x2</span></p>  <p style="text-align: right;">PGN36</p>	<p>(JN) <span style="float: right;">x1</span></p>  <p style="text-align: right;">JOI296</p>	
<p>(JO) <span style="float: right;">x1</span></p>  <p>Lg=1900mm <span style="float: right;">J739</span></p>	<p>(JP) <span style="float: right;">x2</span></p>  <p>Lg=1900mm <span style="float: right;">AI074</span></p>	<p>(JQ) <span style="float: right;">x1</span></p>  <p>Lg=1900mm <span style="float: right;">J751</span></p>
<p>(PAN) <span style="float: right;">x1</span></p>  <p style="text-align: right;">SET116</p>	<p>(PAU) <span style="float: right;">x4</span></p>  <p style="text-align: right;">SET29</p>	<p>(PAV) <span style="float: right;">x2</span></p>  <p style="text-align: right;">PPL1119</p>
<p>(VR) <span style="float: right;">x2</span></p> <p>M4</p>  <p style="text-align: right;">1=1 <span style="margin-left: 20px;">VIS239</span></p>	<p>(PAW) <span style="float: right;">x2</span></p>  <p style="text-align: right;">PPL1120</p>	<p>(JC) <span style="float: right;">x1</span></p>  <p>Lg=1882mm <span style="float: right;">J723</span></p>

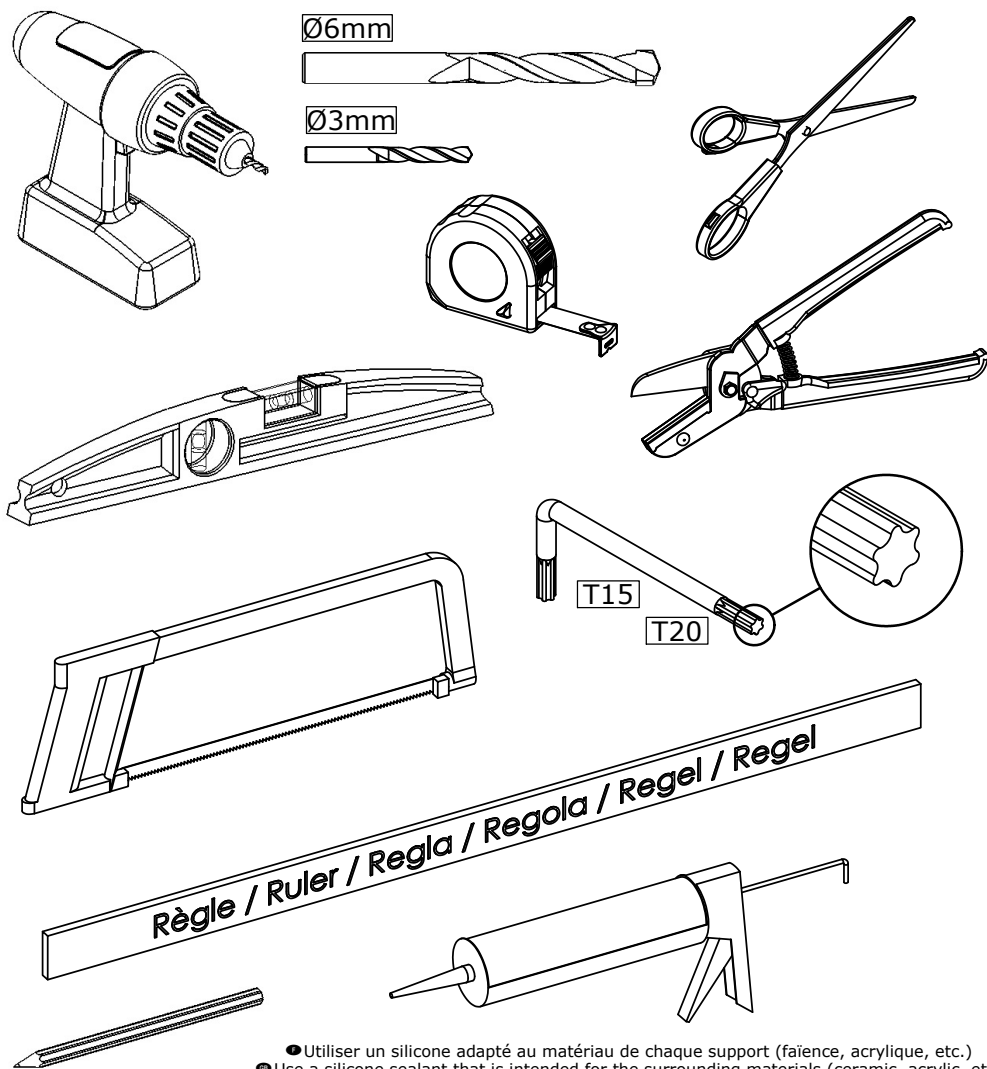


<p><b>VQ</b> <span>Ø4.2</span> <span>x6</span></p> <p>9.50</p> <p><span>1=1</span> <span>VIS238</span></p>	<p><b>PF</b> <span>CLT/SOLO:140/160/170</span> <span>x4</span>  <span>CLT/SOLO:100/120</span> <span>x3</span>  <span>PVT</span> <span>x0</span></p> <p><span>PPL1099</span></p>	<p><b>VO</b> <span>Ø3.5</span> <span>x9</span></p> <p>6.50</p> <p><span>1=1</span> <span>VIS253</span></p>
<p><b>PAK</b> <span>140/160/170</span> <span>x5</span>  <span>100/120</span> <span>x3</span></p> <p><span>SET105</span></p>	<p><b>VI</b> <span>x3</span></p> <p>Lg=2800mm <span>VEL06-5</span></p>	<p><b>VJ</b> <span>x3</span></p> <p>Lg=2800mm <span>VEL06-6</span></p>
<p><b>SG</b> <span>CLT</span> <span>x1</span>  <span>PVT</span> <span>x0</span></p> <p> <ul style="list-style-type: none"> <li>● Montage gauche ● Left hand</li> <li>● Montaje a la izquierda</li> <li>● Montaggio a sinistra</li> <li>● Montage links ● Montage links</li> </ul> </p> <p><span>SUP168</span></p>	<p><b>SH</b> <span>CLT</span> <span>x1</span>  <span>PVT</span> <span>x0</span></p> <p> <ul style="list-style-type: none"> <li>● Montage droite ● Right hand</li> <li>● Montaje a la derecha</li> <li>● Montaggio a destra</li> <li>● Montage rechts ● Montage rechts</li> </ul> </p> <p><span>SUP169</span></p>	<p><b>JJ</b> <span>x2</span></p> <p>Lg=2200mm <span>PFL84</span></p>
<p><b>SP</b> <span>● Montage gauche ● Left hand</span>  <span>● Montaje a la izquierda</span>  <span>● Montaggio a sinistra</span>  <span>● Montage links ● Montage links</span></p> <p><span>PVT</span> <span>x1</span>  <span>CLT</span> <span>x0</span></p> <p><span>SET118</span></p>	<p><b>SP</b> <span>● Montage droite ● Right hand</span>  <span>● Montaje a la derecha</span>  <span>● Montaggio a destra</span>  <span>● Montage rechts ● Montage rechts</span></p> <p><span>SET118</span></p>	<p><b>AE</b> <span>x1</span></p> <p>Lg=2030mm <span>6195-01</span></p>
<p><b>FA</b> <span>x1</span></p> <p>2055</p> <p>125</p> <p><span>PUS132</span></p>		



- Les quantités données sont les quantités utiles au montage. les sachets fournis contiennent des pièces supplémentaires.
  - The quantities given are what are required for the installation. There may be some surplus in the package provide.
- Las cantidades indicadas son las cantidades necesarias para el montaje. Las bolsitas incluidas contienen piezas suplementarias.
  - Le quantità fornite sono le quantità necessarie al montaggio. I sacchetti forniti contengono pezzi supplementari.
    - De aangegeven aantallen zijn vereist voor de montage. De verpakking bevat extra onderdelen.
- Die Mengenangaben beziehen sich auf die für die Montage nötigen Teile. Eventuell weitere beige packte Teile ignorieren.

● Outillage nécessaire ● Tools required ● Equipamiento necesario  
 ● Attrezzatura necessaria ● Benodigde gereedschap ● Werkzeuge erforderlich

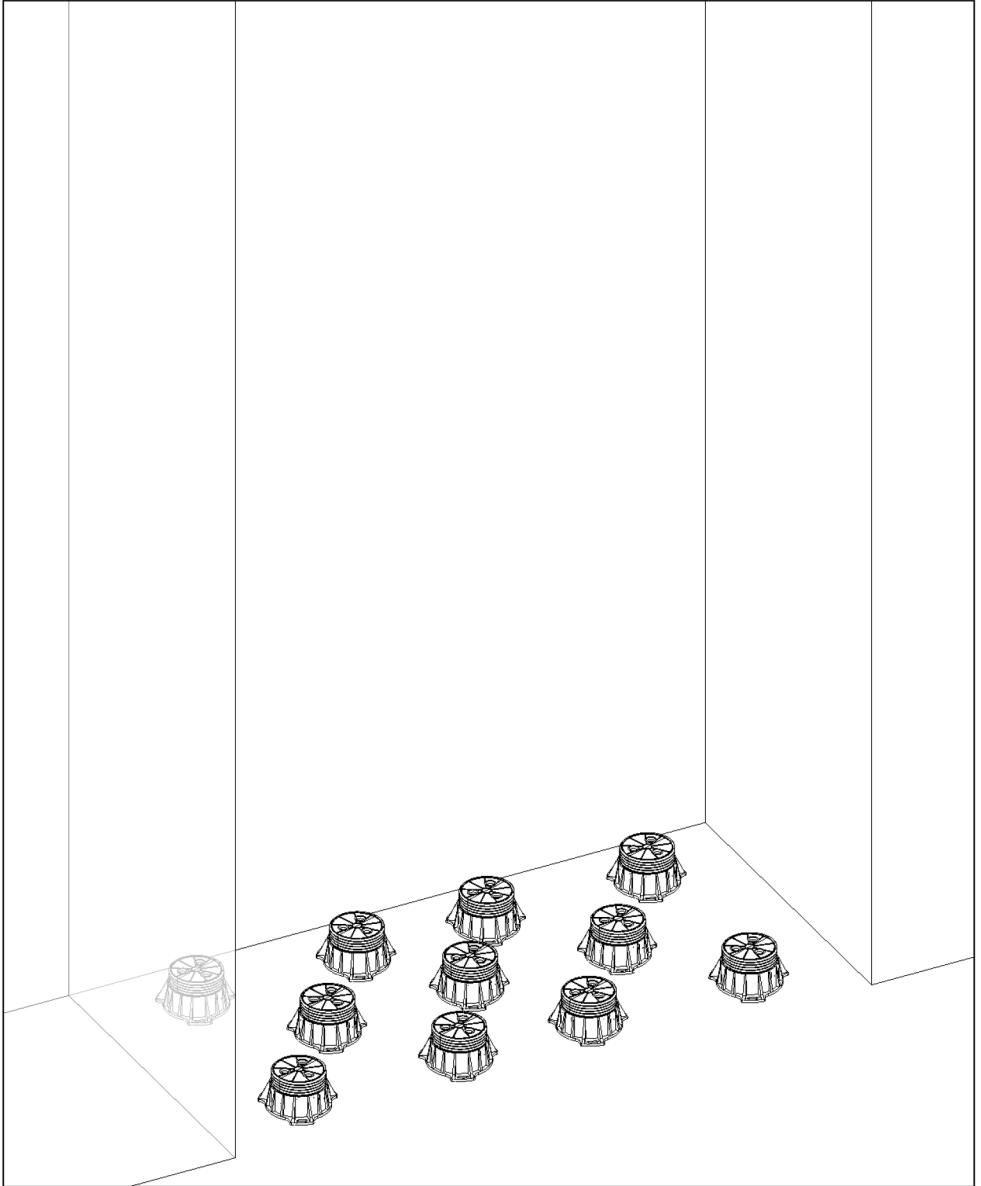


- Utiliser un silicone adapté au matériau de chaque support (faïence, acrylique, etc.)
- Use a silicone sealant that is intended for the surrounding materials (ceramic, acrylic, etc.)
  - Usar una silicona adecuada para cada tipo de material (loza, acrílico, etc.)
  - Utilizzare un silicone adatto a qualsiasi materiale (ceramica, acrilico, ecc.)
  - Gebruik siliconenkit die geschikt is voor iedere ondergrond (tegelwerk, acryl, etc.)
  - Für das jeweilige Trägermaterial (Stein, Acryl usw.) geeignetes Silikon verwenden.

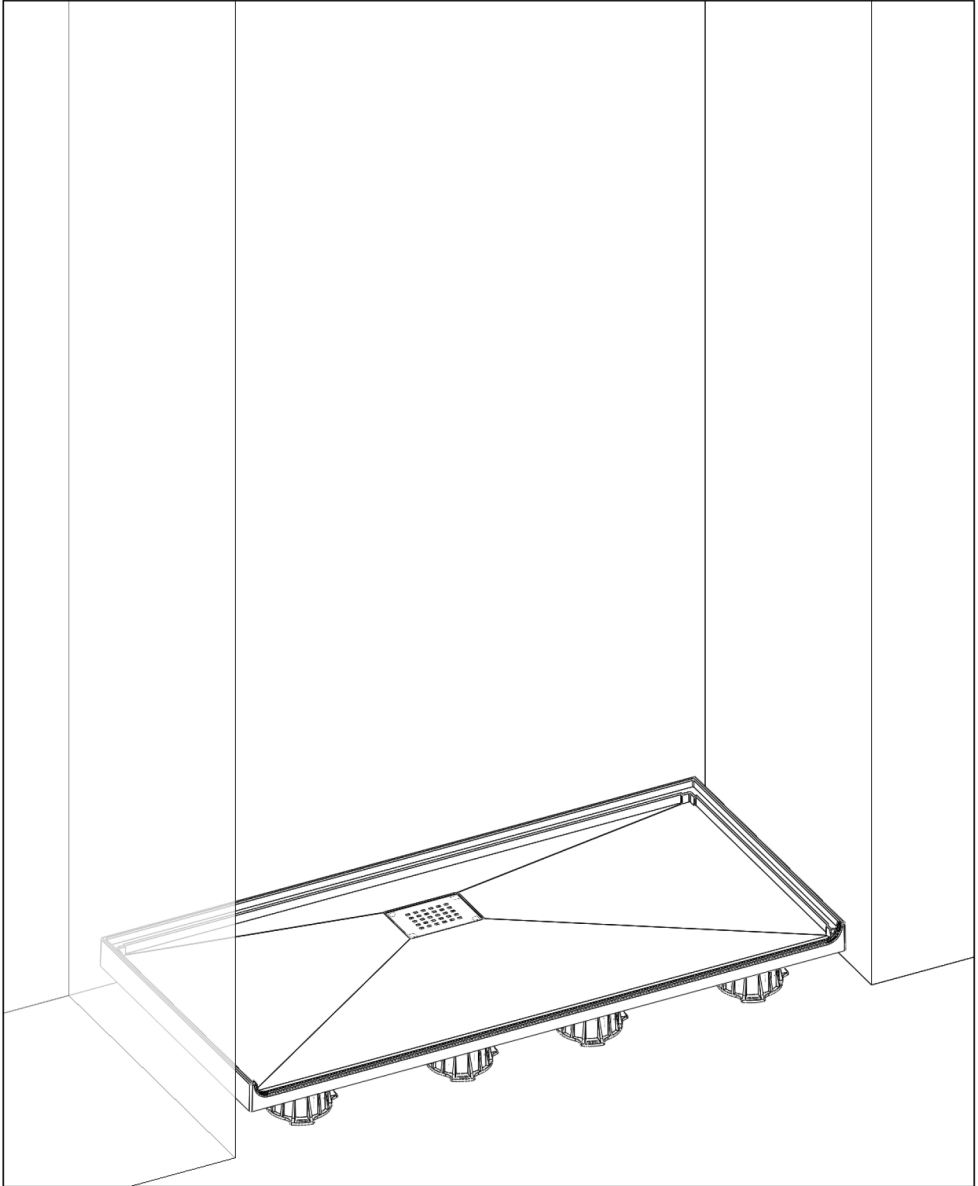




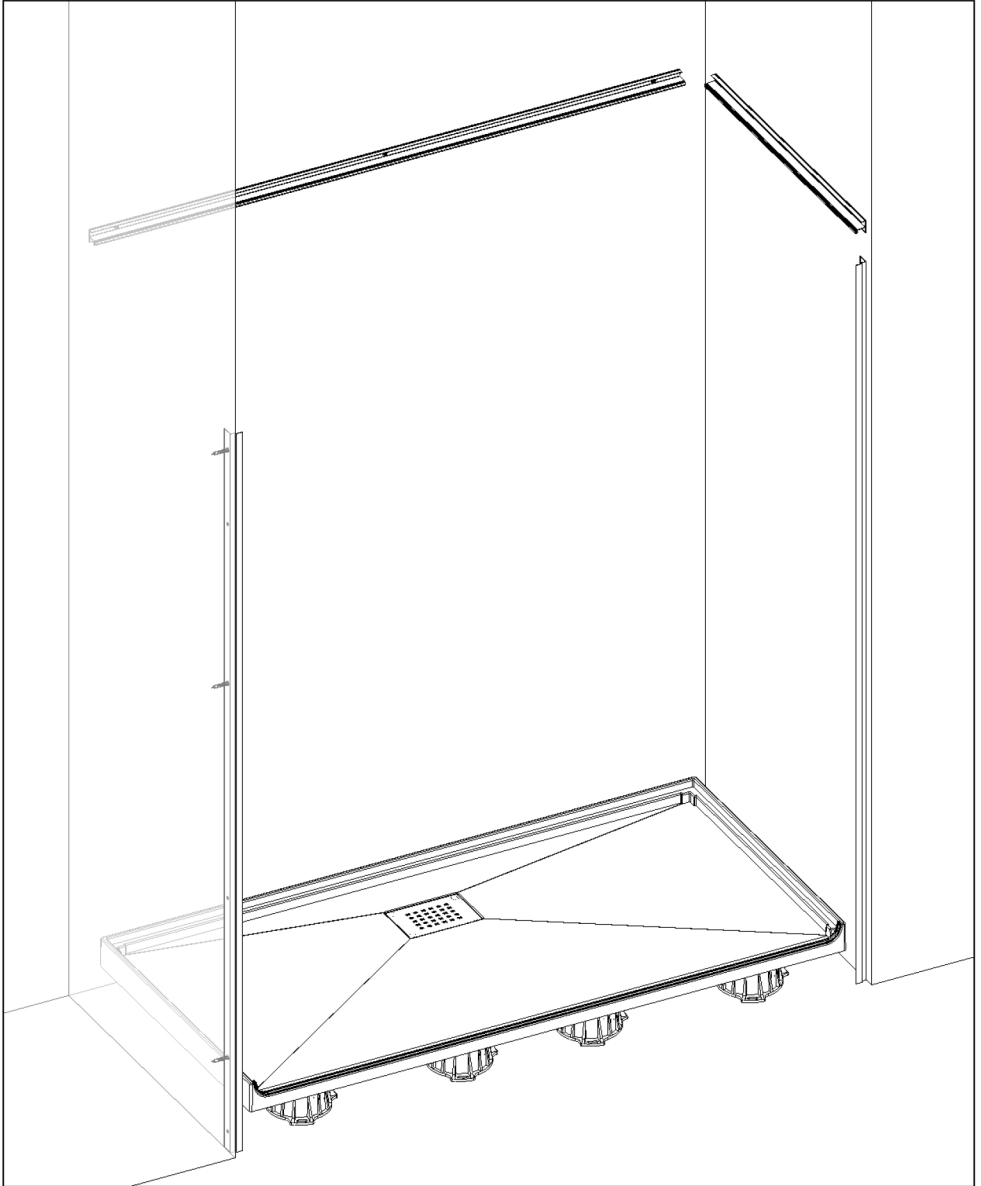
1A



1B



1C

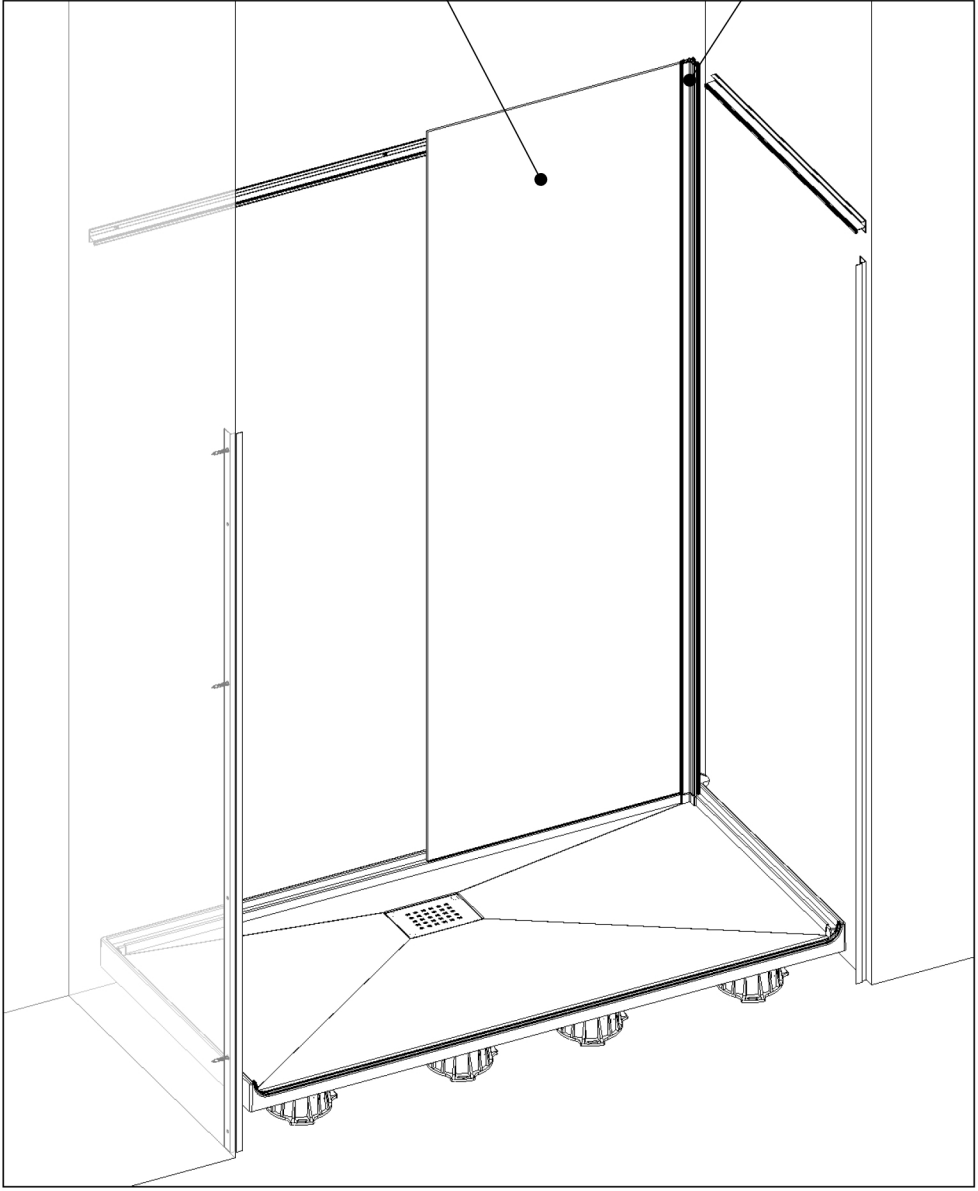




2

2C

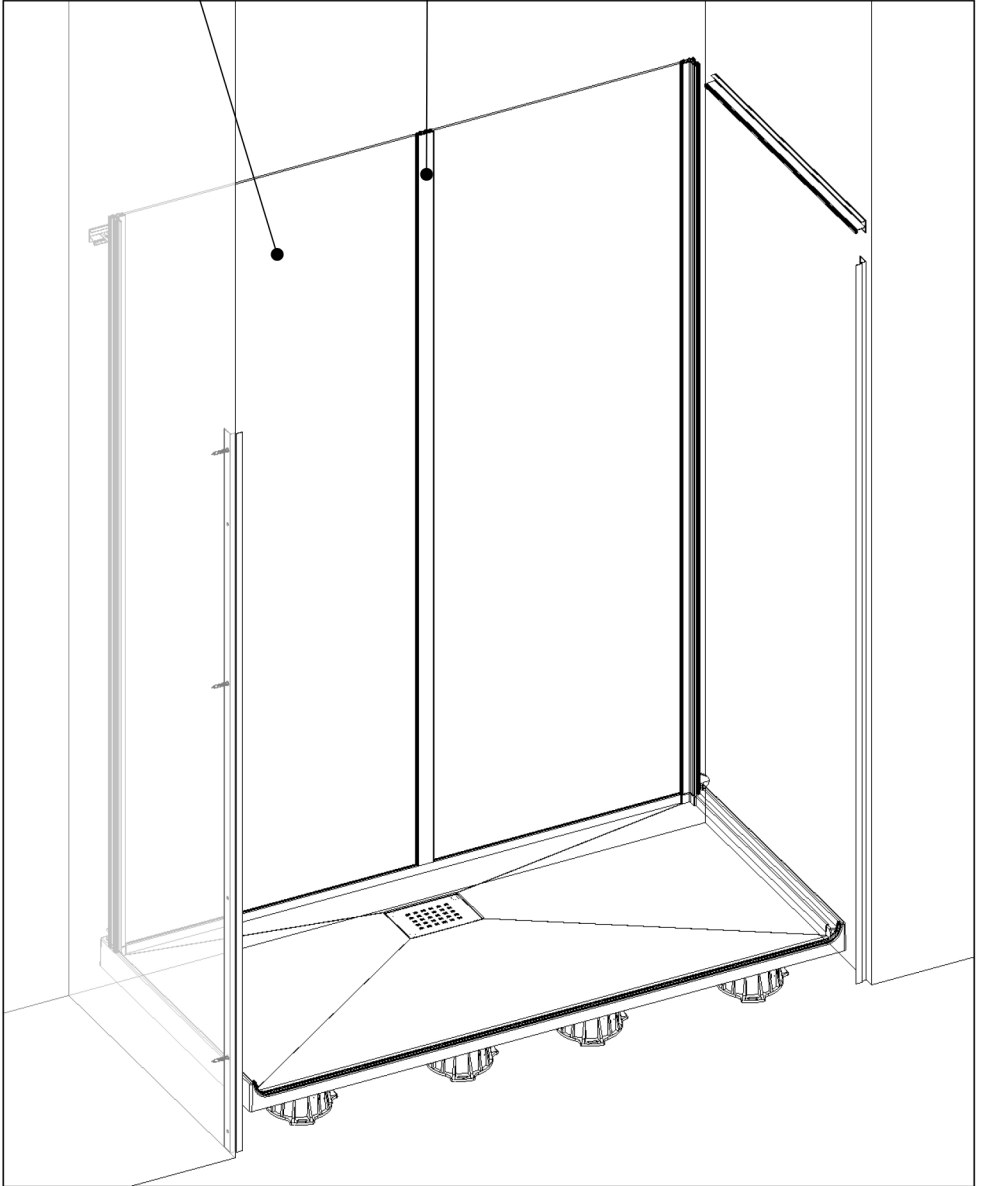
2



2

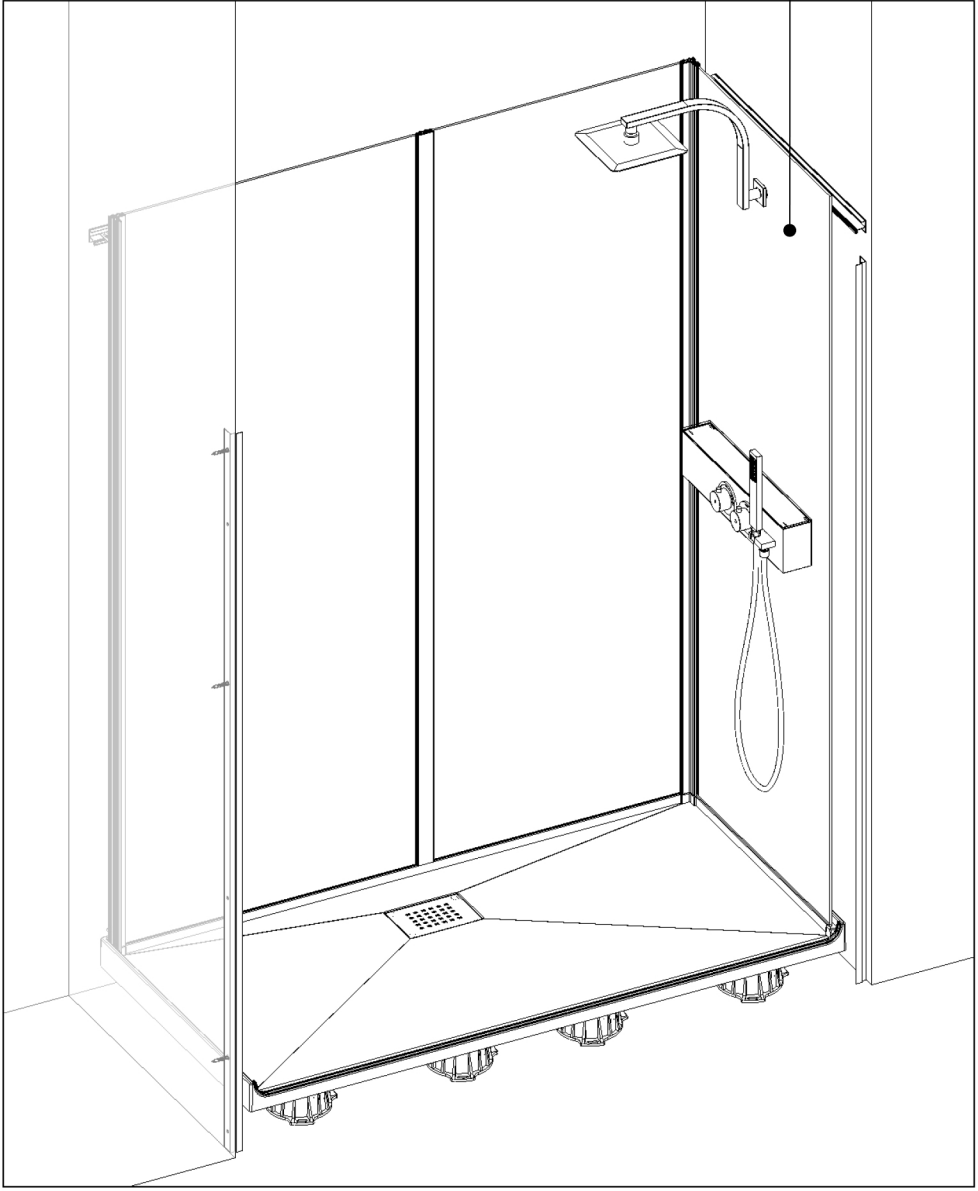
2B

2

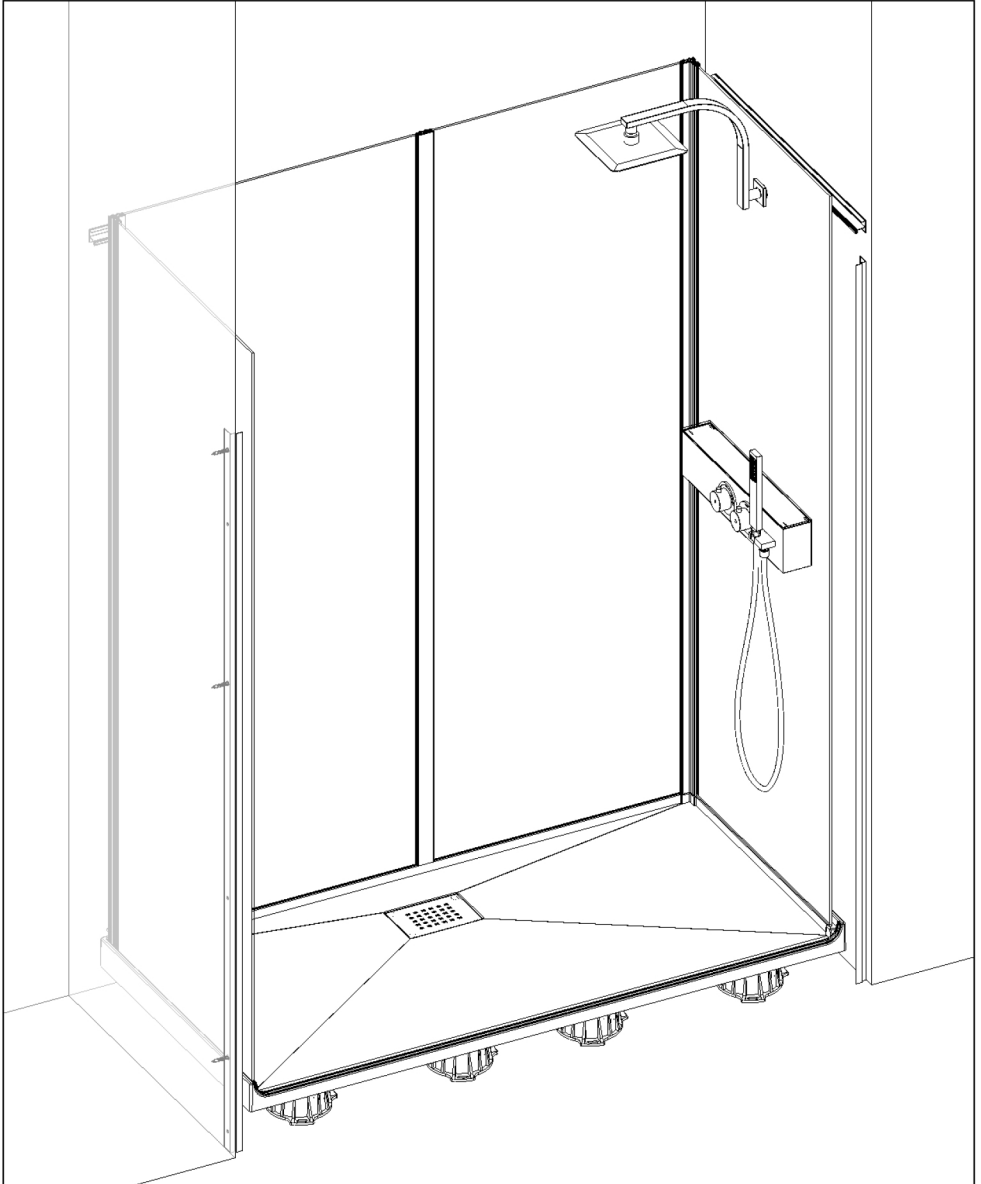


2

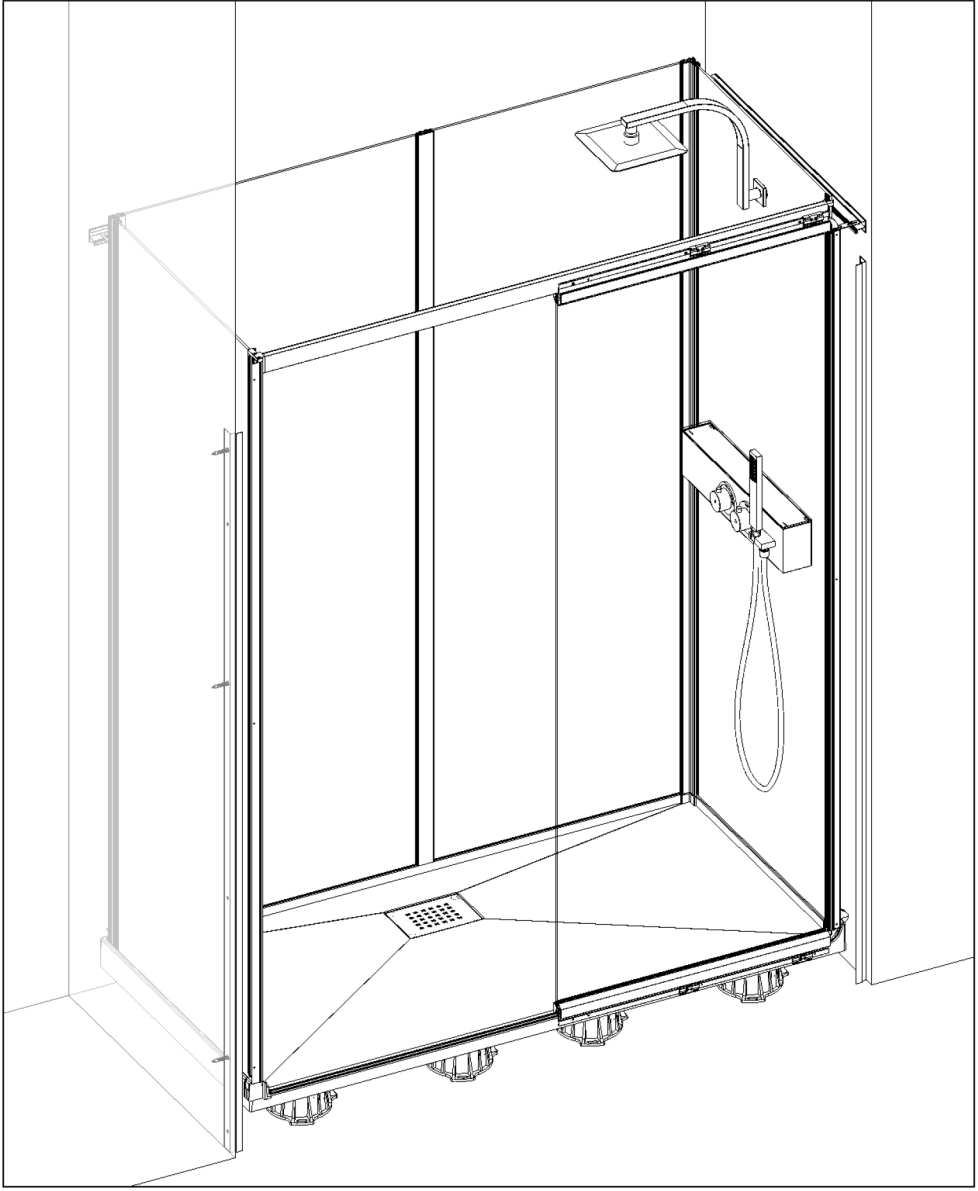
2A



3



4

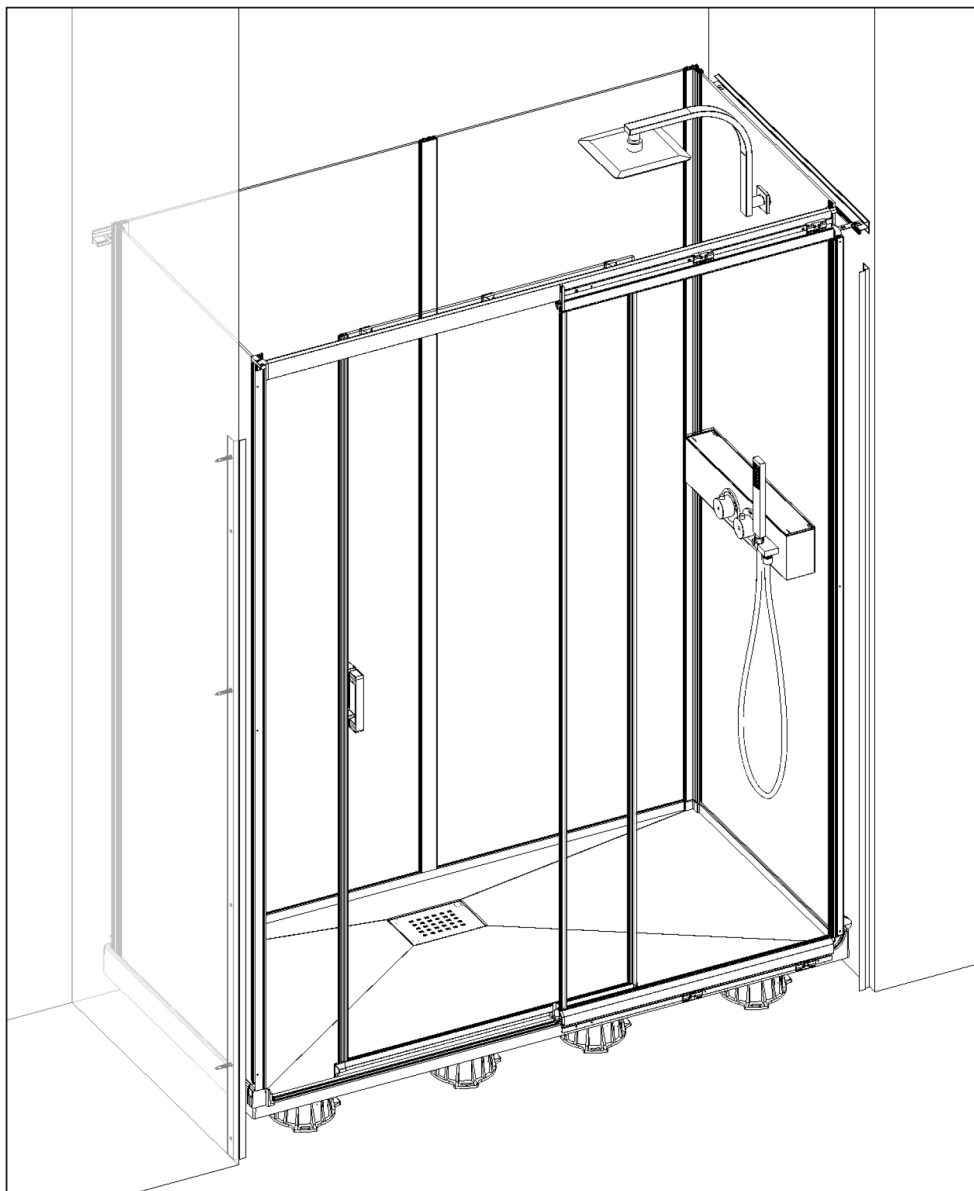


- En cas de montage solo ● In case of mounting without door
- En caso de montaje con mampara fija
- In caso di montaggio senza porta
- Bij montage uitvoering solo ● Bei Montage Ohne Tür

=>

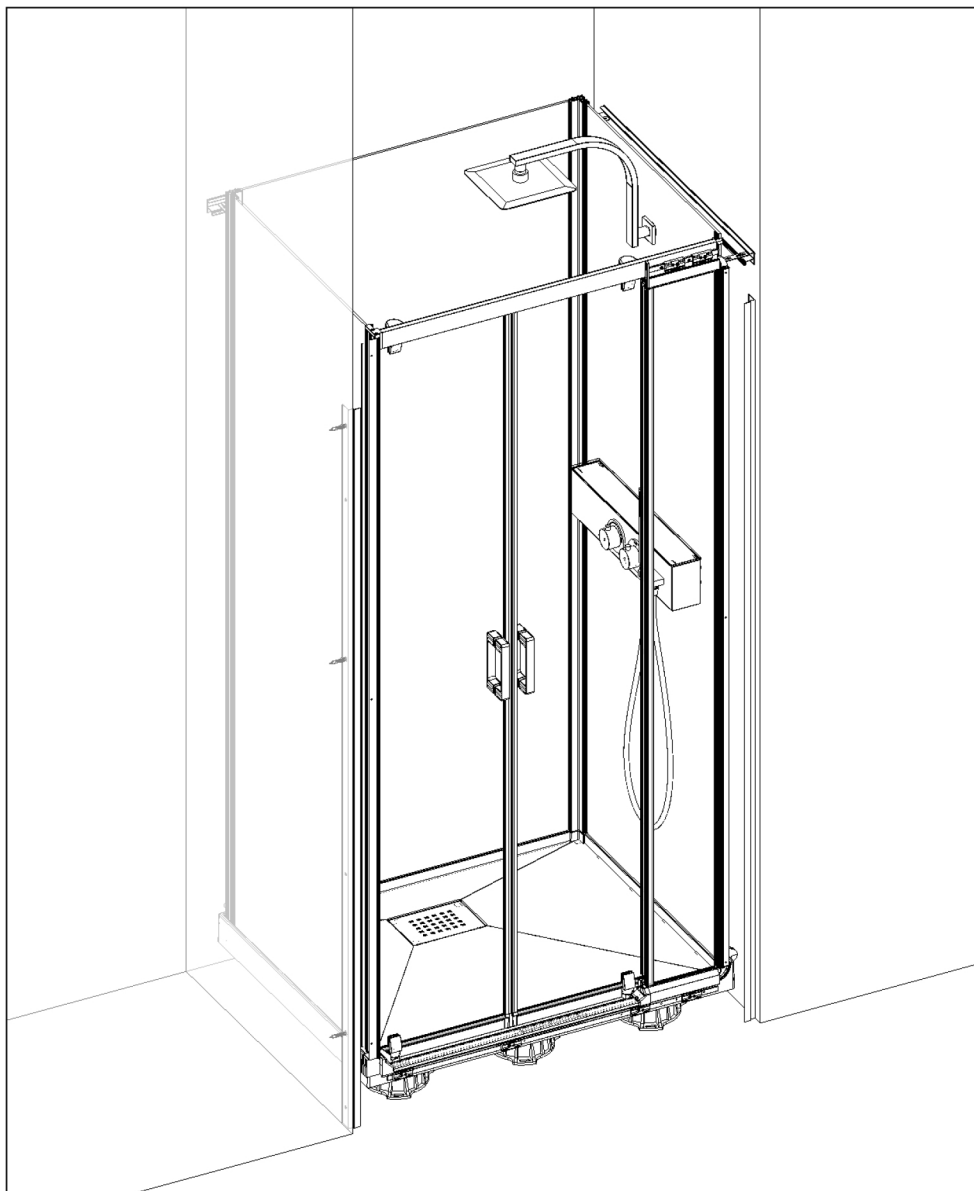


CLT

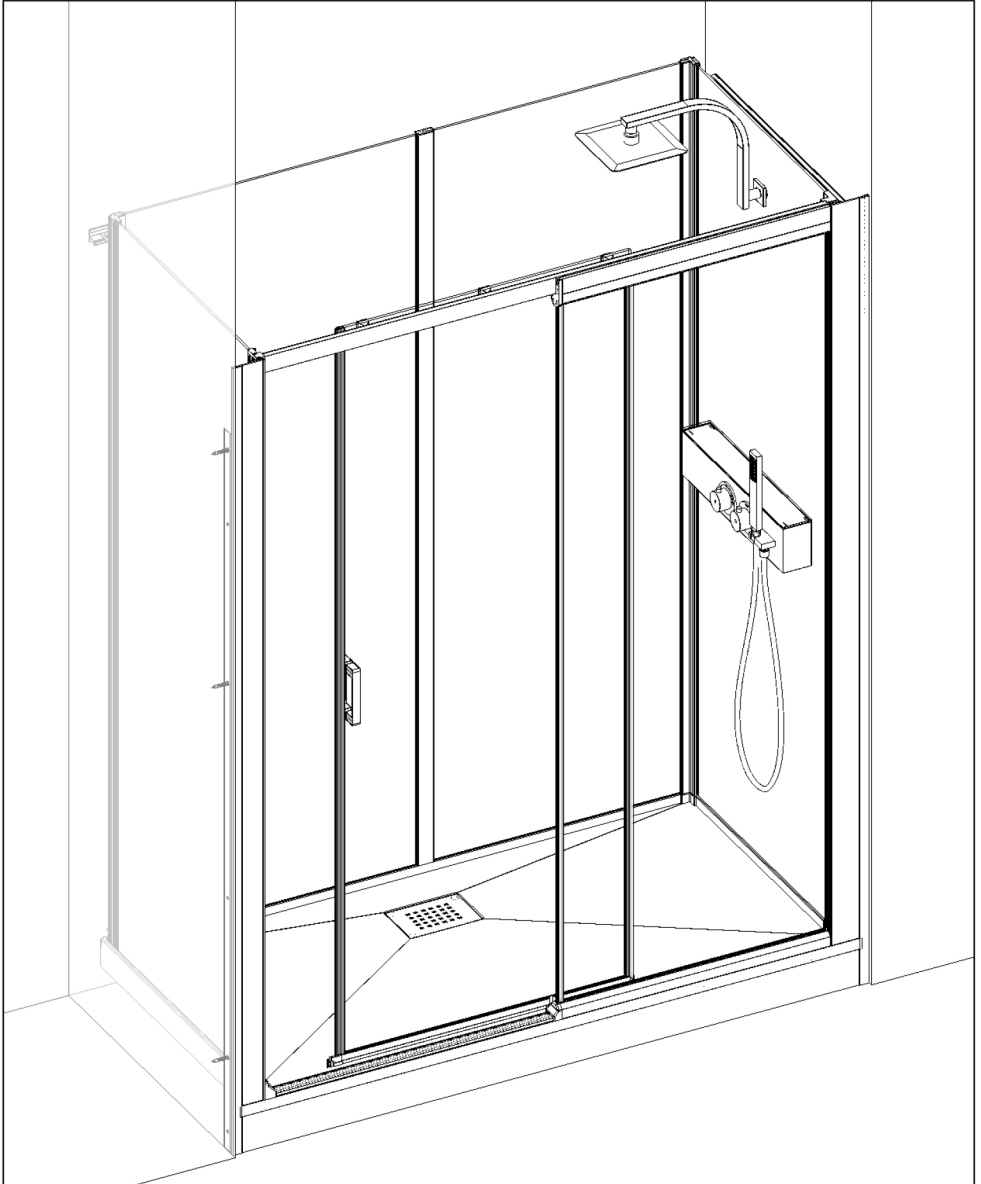


- En cas de montage solo ⑤ In case of mounting without door
- En caso de montaje con mampara fija
- In caso di montaggio senza porta
- Bij montage uitvoering solo ⑤ Bei Montage Ohne Tür

=&gt;

 5 PVT

6





- Zone de décaissement pour un montage de receveur sans pieds
- Ⓞ Area required for the installation of the tray without feet
- Zona rebajada para la instalación del plato sin pies
- Zone necessarie per un montaggio del piatto senza piedi
- Ⓜ Aflooplegebied voor de montage van een douchebak zonder poten
- Freier Raum für Montage der Duschwanne ohne FüÙe

\* ● Côté gauche et droit cumulés ne peuvent excéder 385 mm.

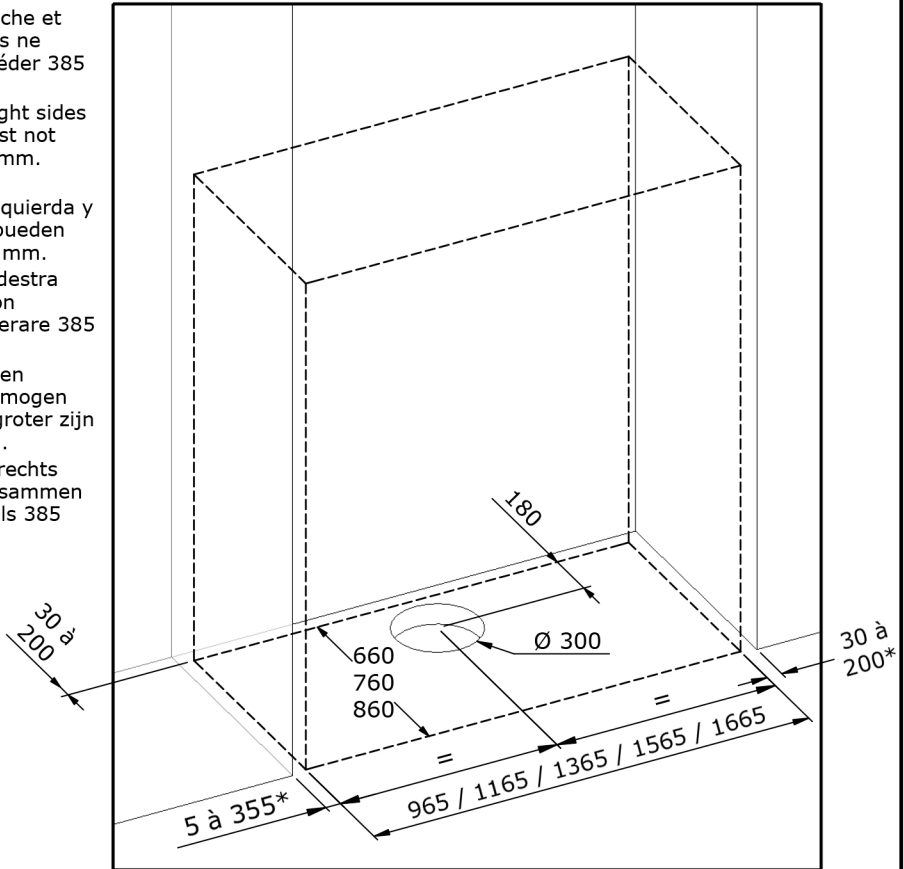
● Left and right sides summed must not exceed 385 mm.

● Las cotas agregadas izquierda y derecha no pueden superar 385 mm.

● Sinistra e destra combinati non possono superare 385 mm.

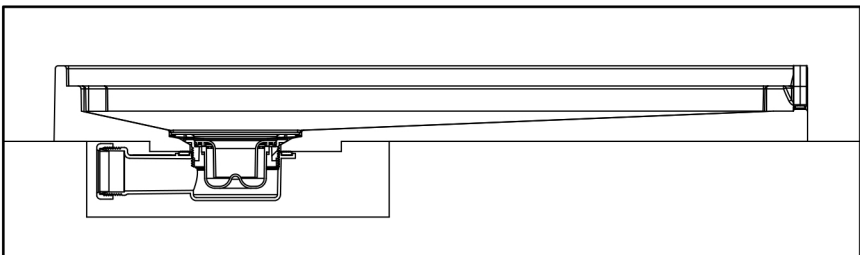
● De linker- en rechterzijde mogen samen niet groter zijn dan 385 mm.

● Links und rechts dürfen es zusammen nicht mehr als 385 mm sein.



● Cotes en mm Ⓞ Dimensions in mm ● Cotas en mm

● Quote in mm Ⓜ Afmetingen in mm ● Maße sind in mm angegeben









**SAV**  
**SERVICE HELPLINES**  
**ASSISTENZA POST-VENDITA**  
**SERVICIO POSTVENTA**

**FRANCE**

02 40 21 29 45

**SCHWEIZ**

(01) 748 17 44

**UK**

020 8842 0033

**ESPANA**

93 544 60 76

**IRELAND**

04697 33102

**NEDERLAND**

+31 475 487 100

**DEUTSCHLAND**

+49 (0) 6074 / 30928 0

**BELGIE**

+31 475 487 100

**ITALIA**

(0382) 6181

**BELGIQUE**

+31 475 487 100

**OSTEREICH**

+43 1 710 60 70

**РОССИЯ**

963 19 40, 773 67 22